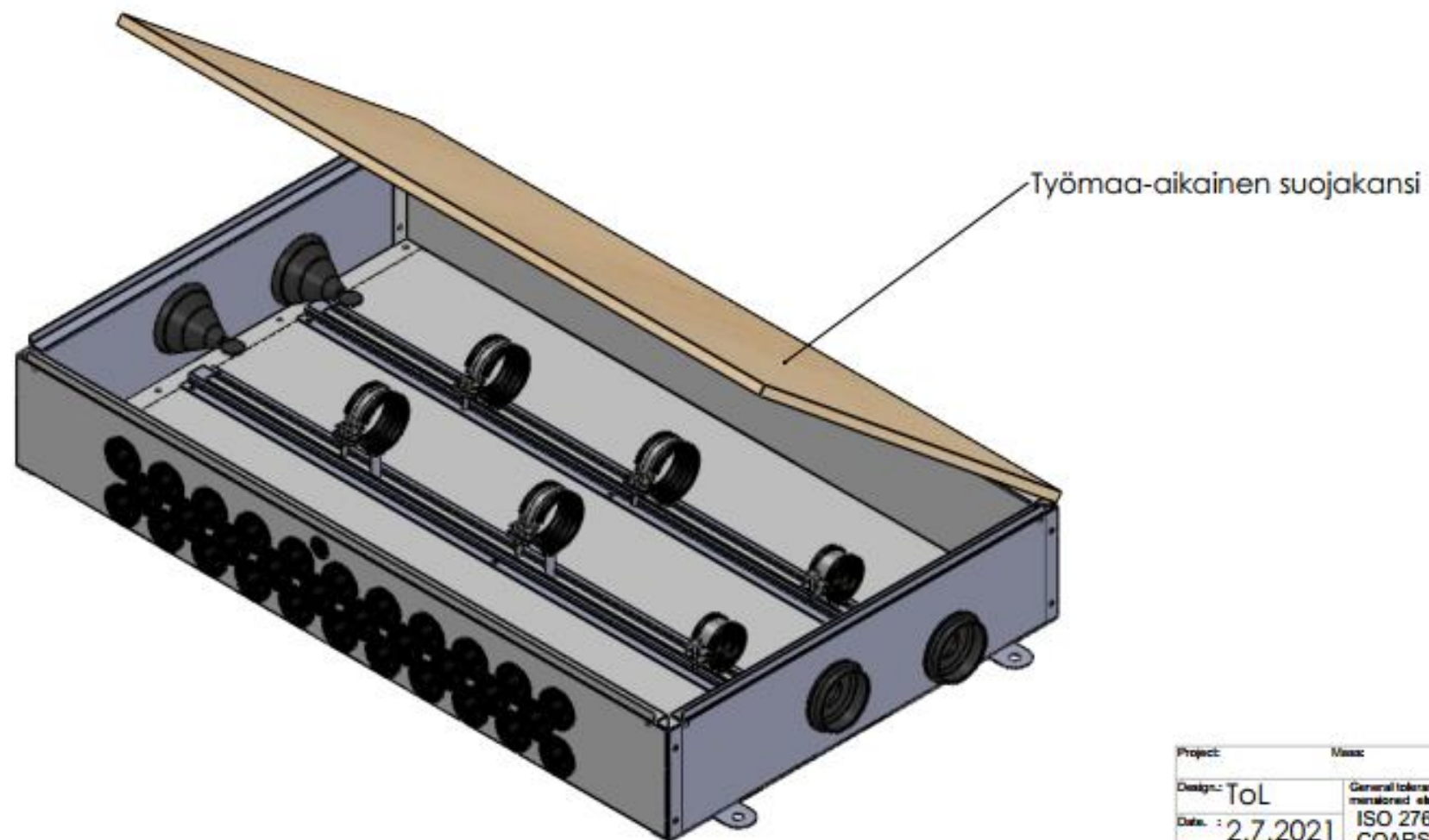
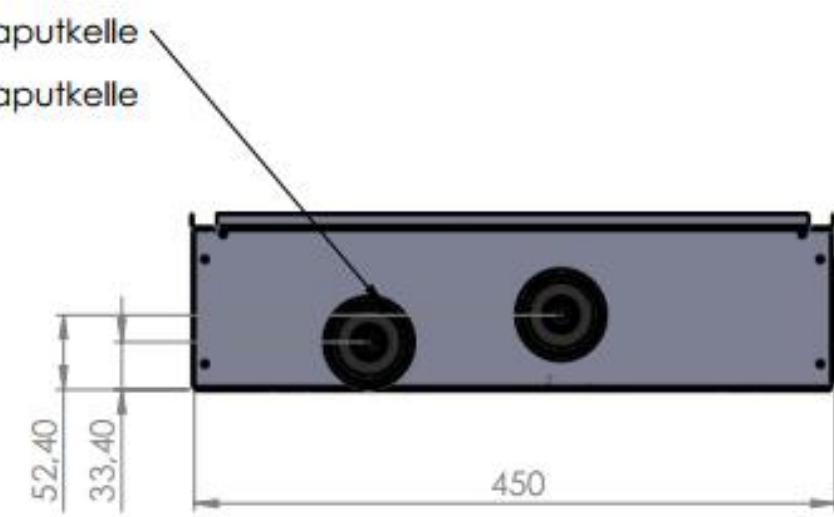
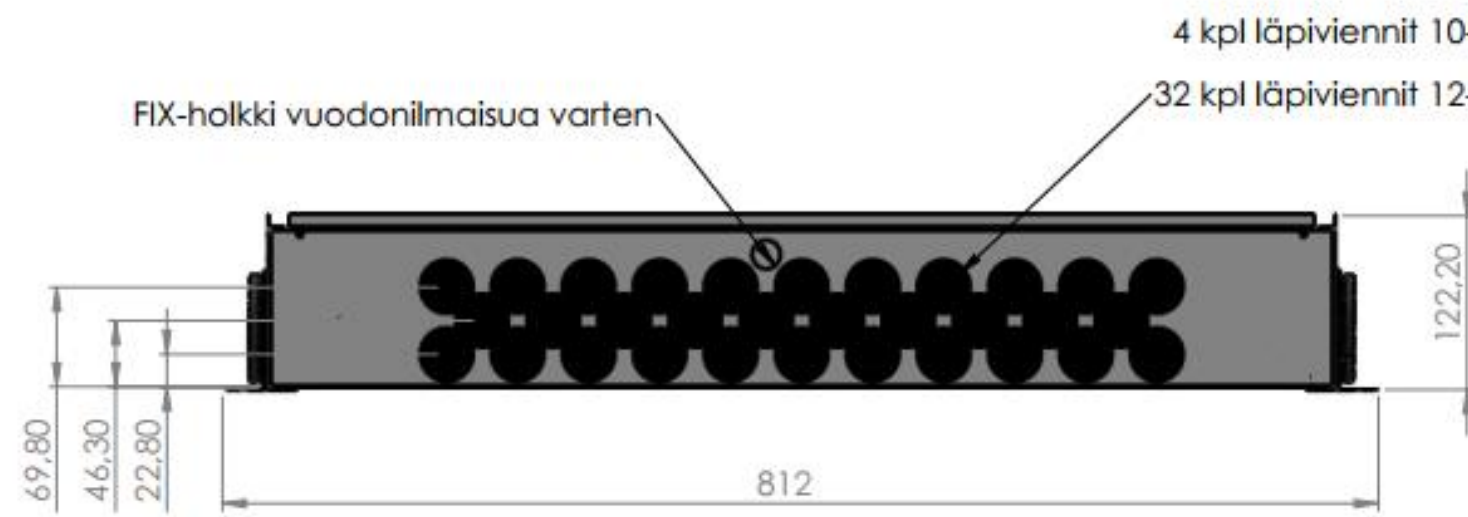
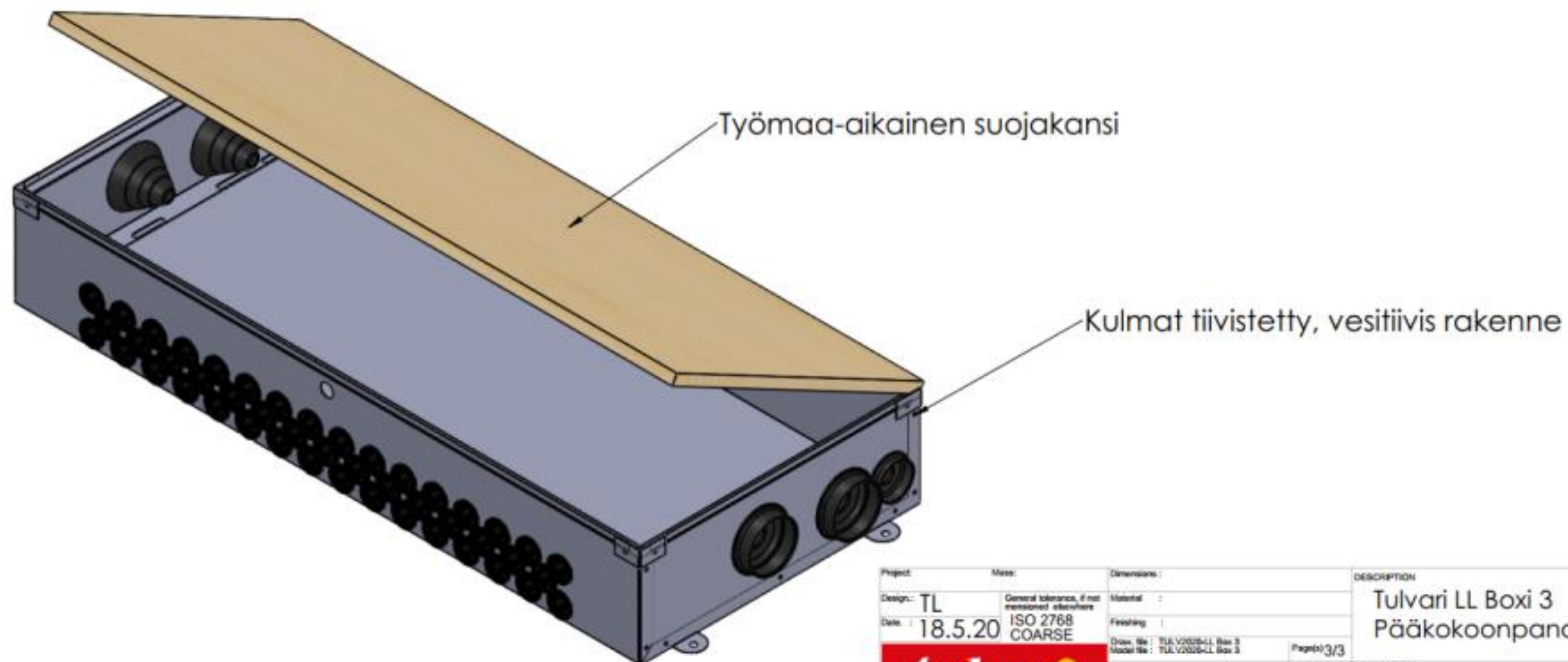
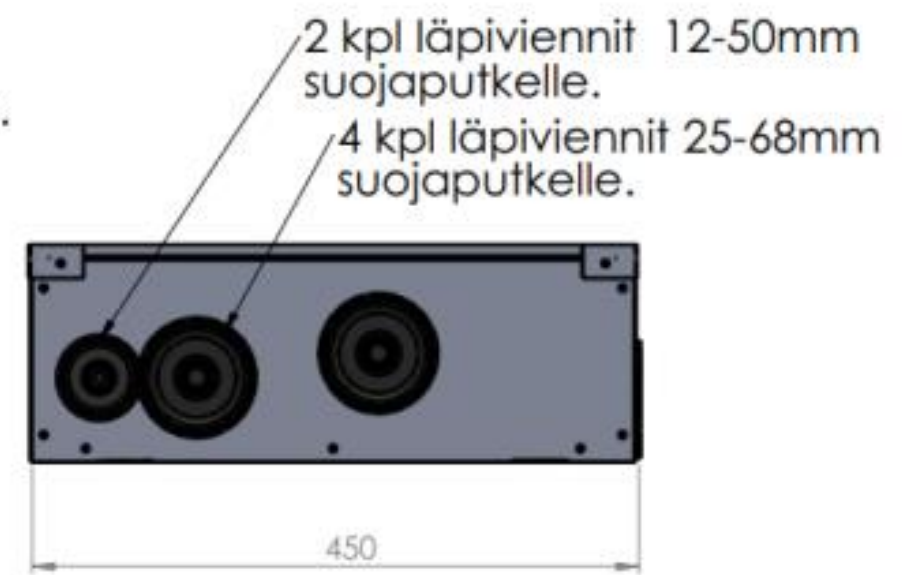
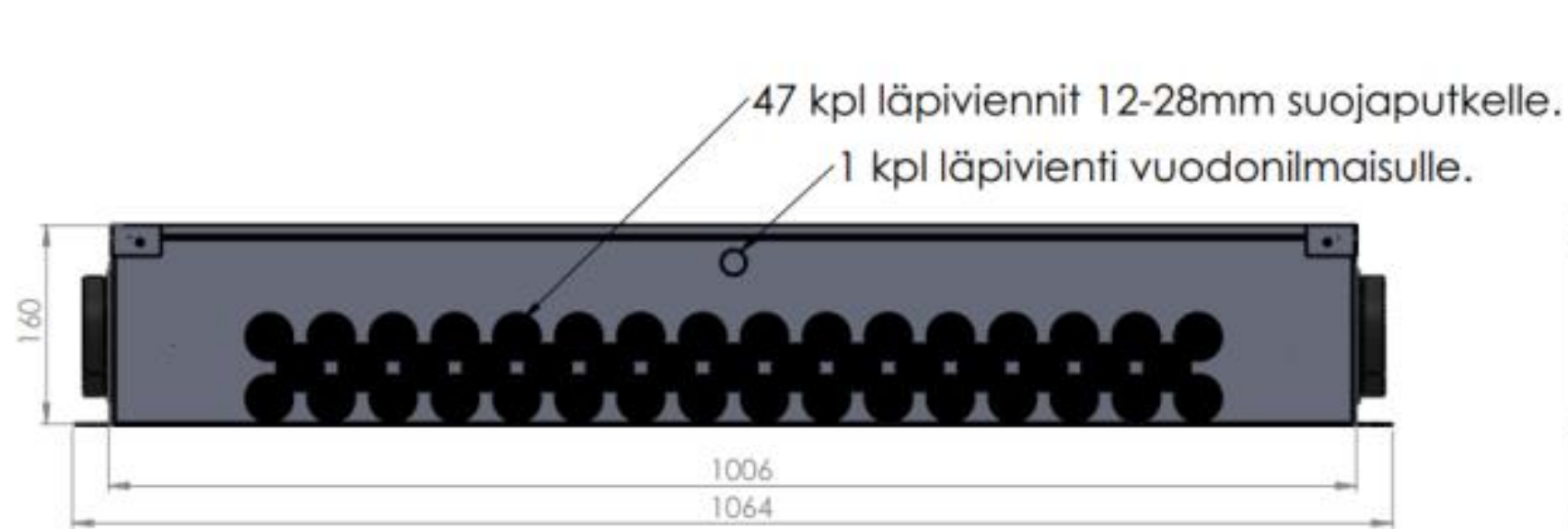


Project: Miss:		Dimensions:		DESCRIPTION	
Design: ToL	General tolerance, if not mentioned elsewhere	Material: Sinkitty teräs	Tulvari LL-box		
Date: 2.7.2021	ISO 2768 COARSE	Finishing: Ei pintakäsittelyä			
		Draw. file: LL_Box 1 web	Page(s): 1/1		
		Model file: LL_Box 1 web	Scale: 1:5	DRAWING NO: 3401000100	Rev
		TULVARI OY HANKINTATIE 2 90420 OULLU			



Project: Maac		Dimensions:		DESCRIPTION	
Design: ToL	General tolerance, if not mentioned elsewhere ISO 2768 COARSE	Material: Sinkitty teräs	Finishing: Ei pintakäsittelyä	Tulvari LL-box 2	
Date: 2.7.2021		Draw. No: LL Box 2 web	Model No: LL Box 2 web		
		TULVARI OY HANKINTATIE 2 90420 OULU		Scale: 1:5	DRAWING NO: 3401000200
					Rev



TULV2020-LL Box-3

Project:	Mass:	Dimensions:	DESCRIPTION
Design: TL	General tolerances, if not mentioned elsewhere	Material:	Tulvari LL Boxi 3
Date: 18.5.20	ISO 2768 COARSE	Finishing:	Pääkoonpano
		Draw. No: TULV2020-LL Box 3	Page(s) 3/3
		Model No: TULV2020-LL Box 3	Scale
			1:5
		TULVARI OY HANKINTATIE 2 90420 OULU	DRAWING NO: 1301400300
		Tel. XXXXXXXXXX Fax. XXXXXXXXXX	Rev