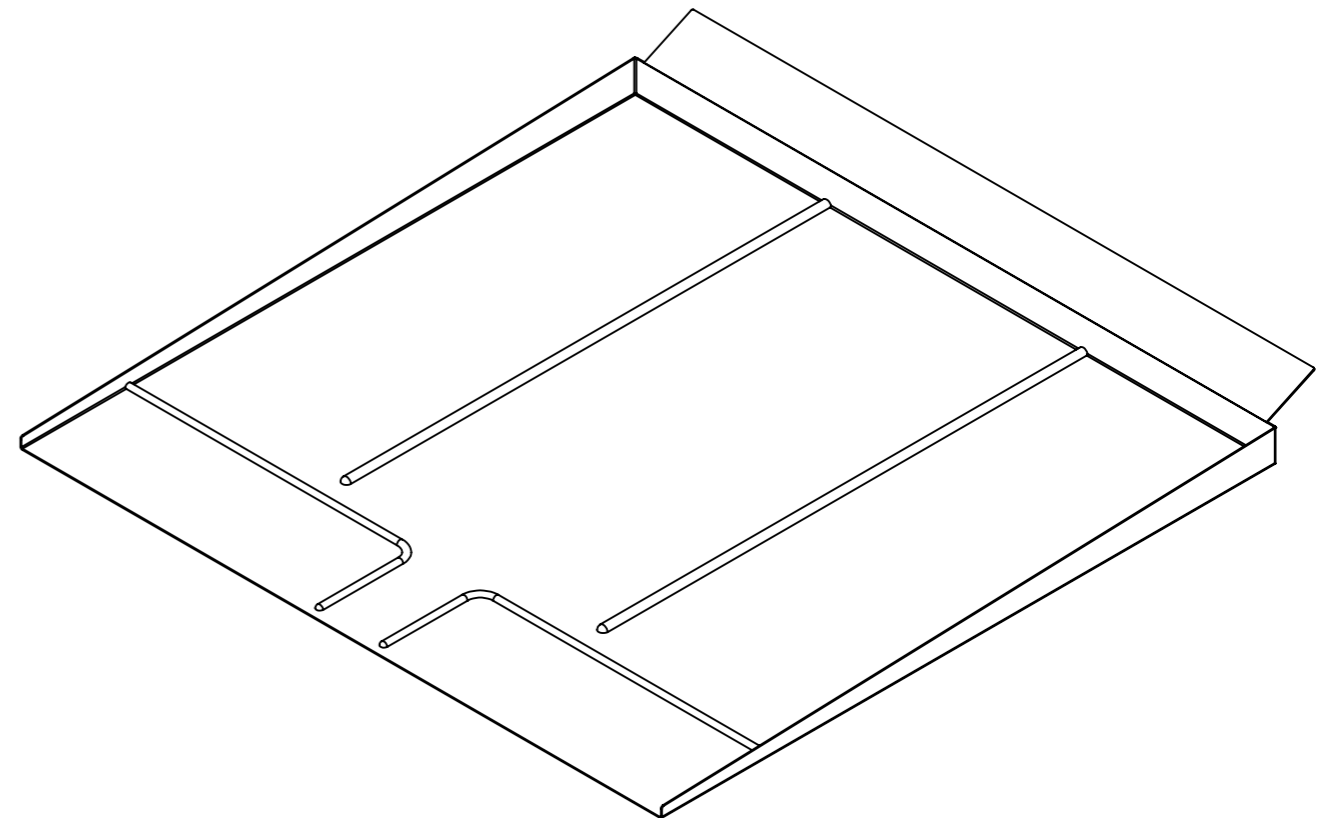
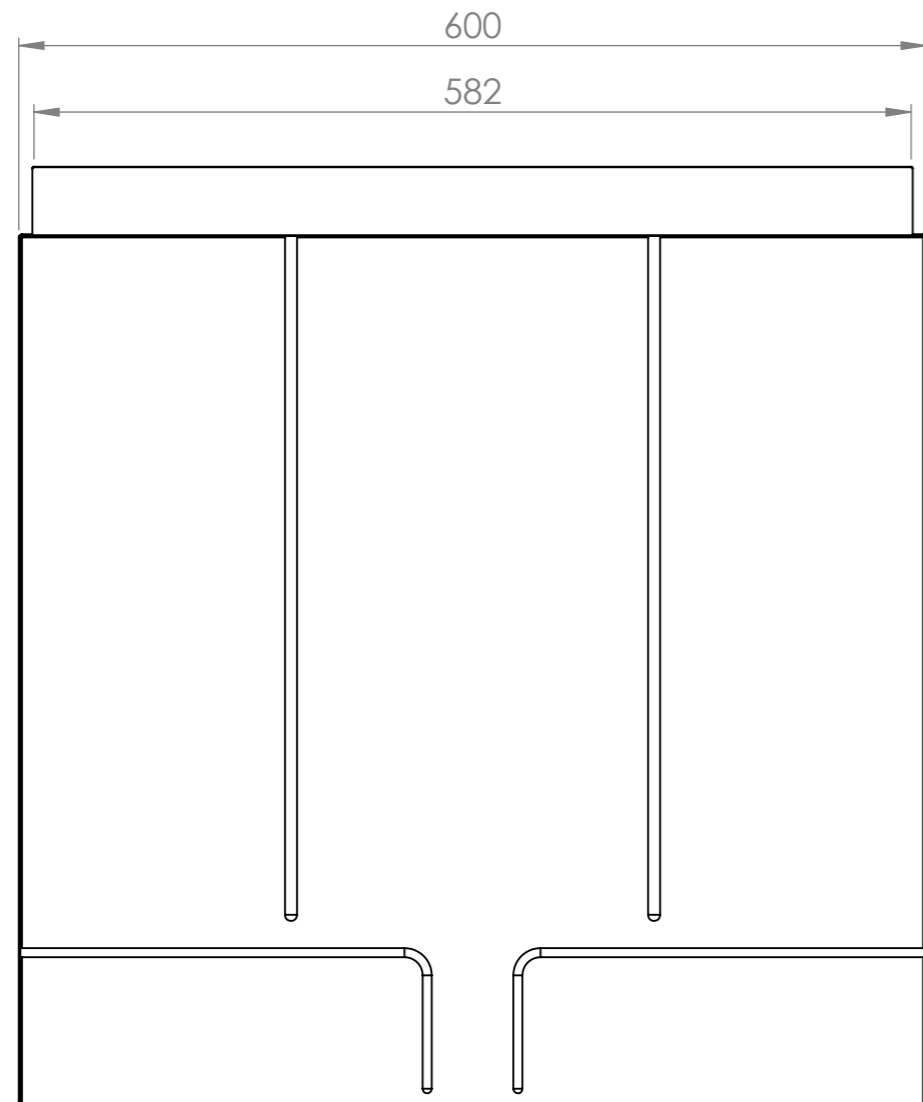
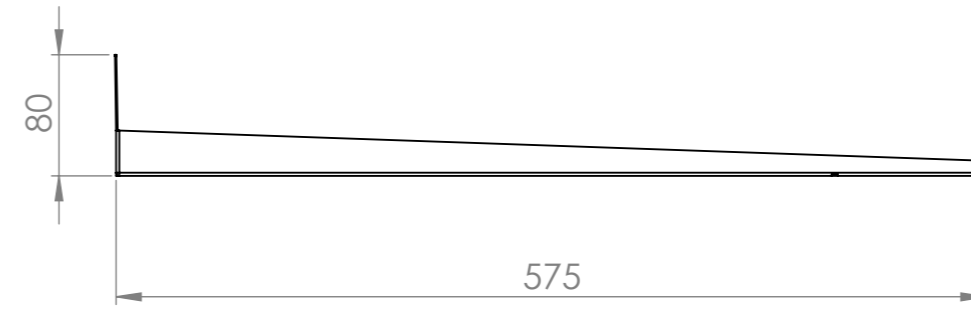
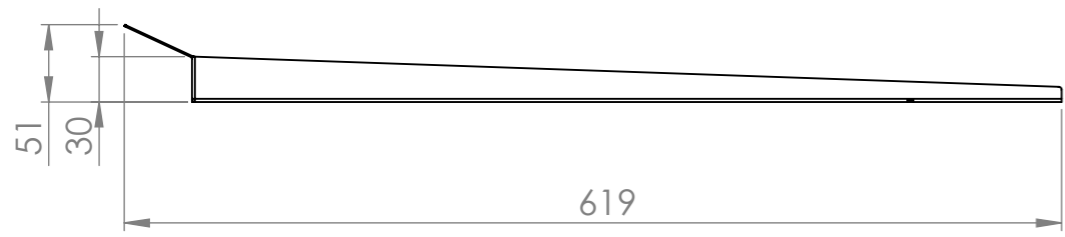

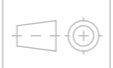


Takalipare taittuu tarvittaessa pystyasentoon



Project:	Mass:	Dimensions :	DESCRIPTION
Design.: ToL	General tolerance, if not mentioned elsewhere ISO 2768 COARSE	Material :	Tulvari 600 APK
Date: 20.5.2021		Finishing :	
		Draw. file : tulvari-600-APK Model file : tulvari-600-APK	Page(s) 1/1
		TULVARI OY HANKINTATIE 2 90420 OULU	Scale:  1:5
			DRAWING NO: LVI nro: 2078100
			Rev