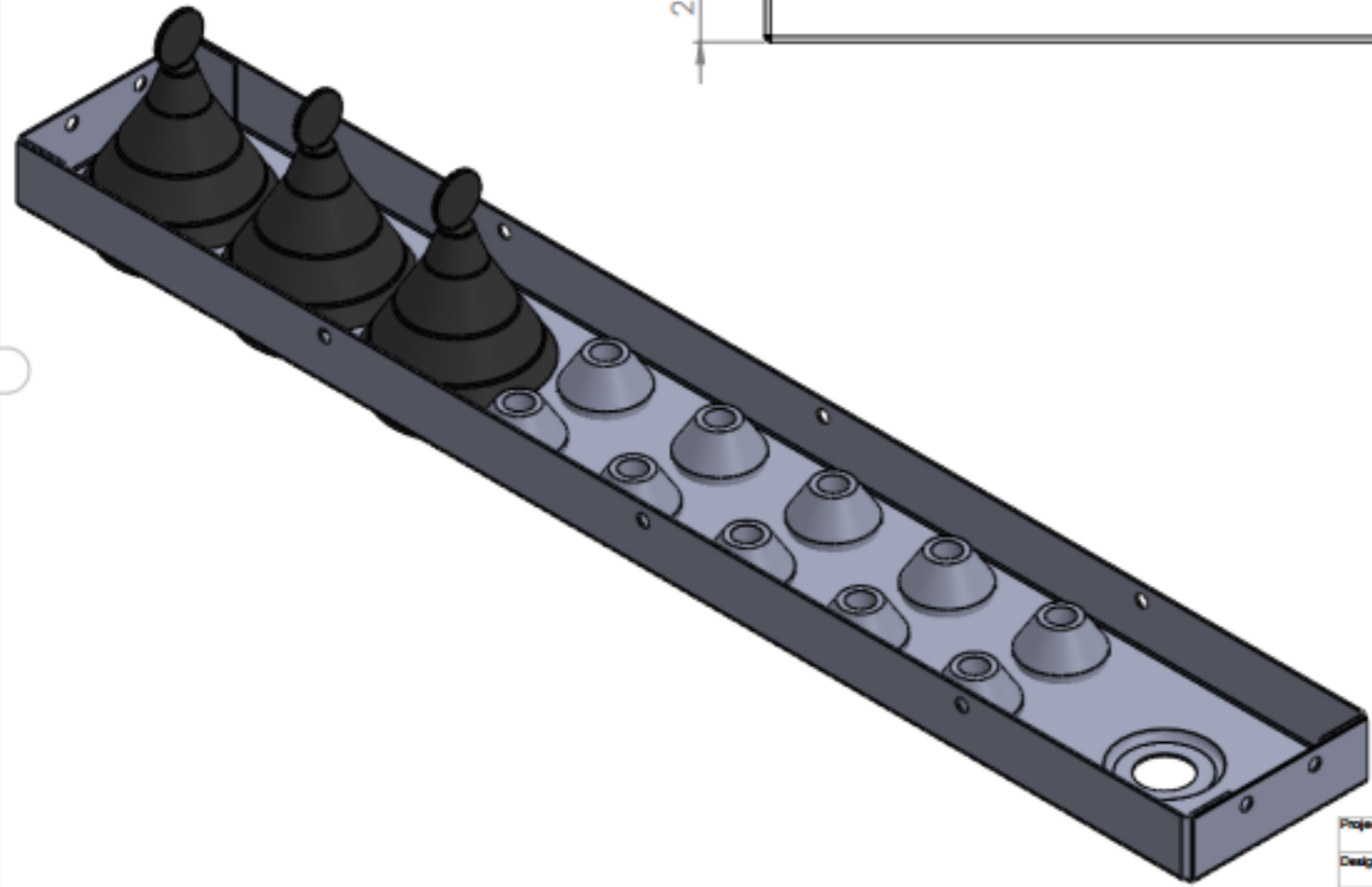
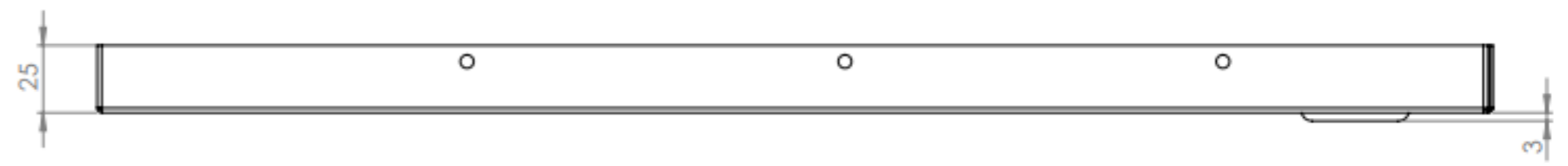


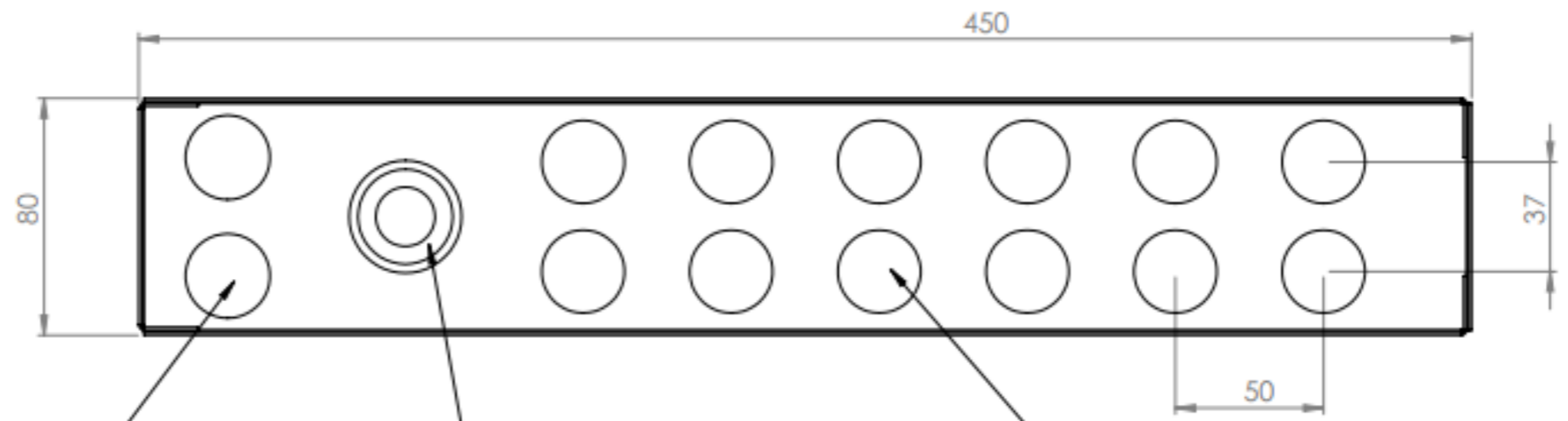
3 kpl läpiviennit 10-50mm suojaputkelle

10 kpl läpiviennit 14-20mm suojaputkelle

1 kpl läpivienti vuodonilmaisulle



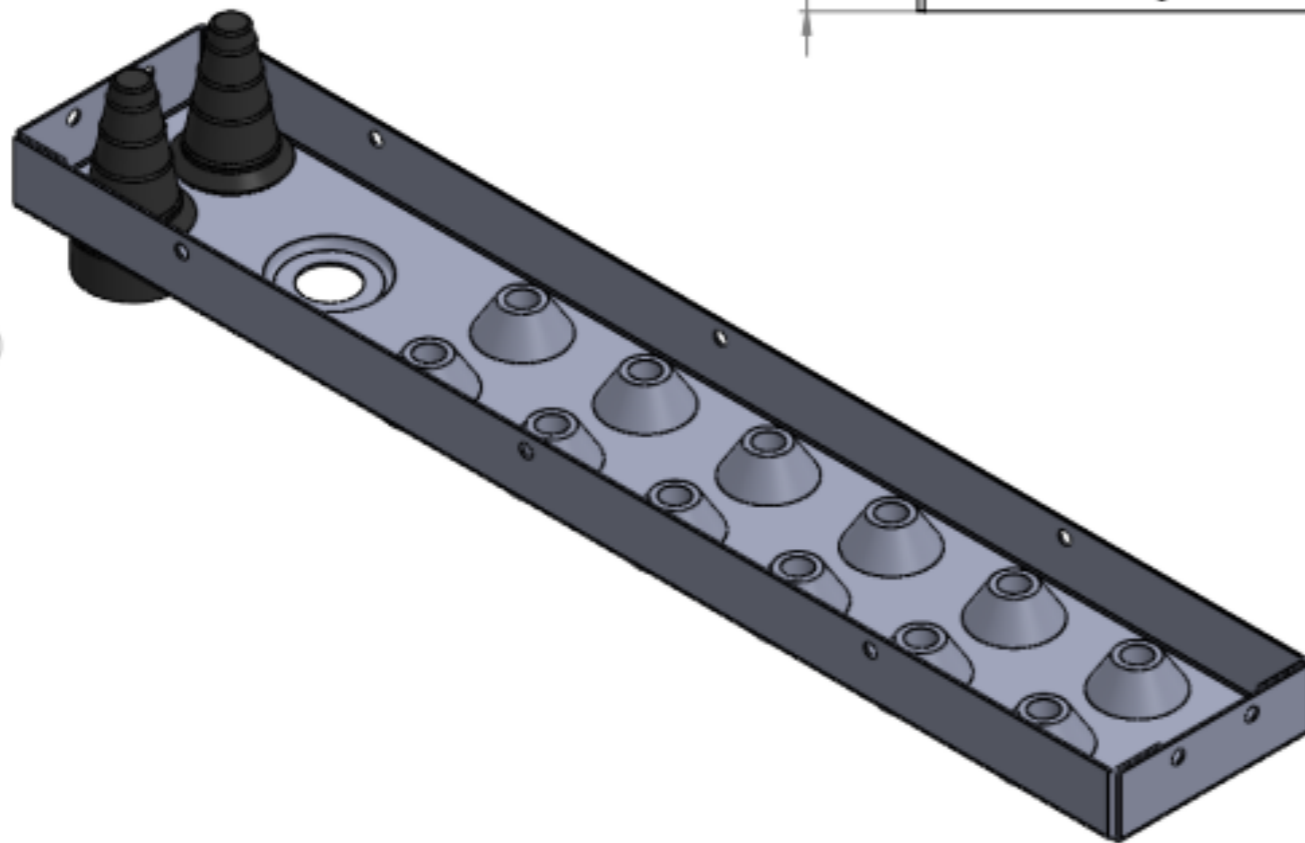
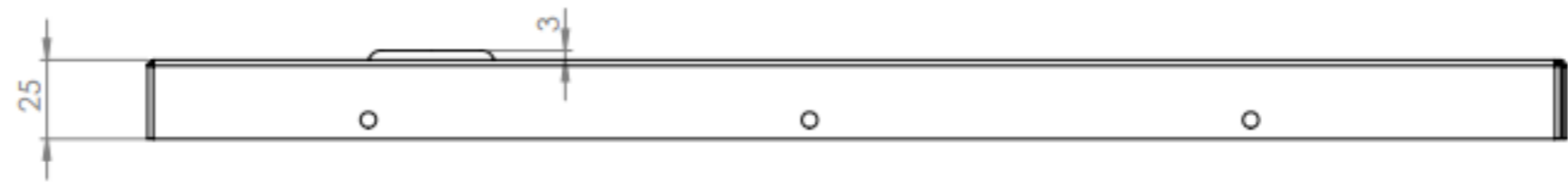
Project:	Mass:	Dimensions:	DESCRIPTION
Design: ToL	General tolerance, if not mentioned elsewhere	Material:	Tulvari Steel 4piirinen
Date: 22.1.2021	ISO 2768 COARSE	Finishing:	LVI nro: 2078126
		Draw. file: Tulvari-steel-4-piirinen-assy	Page 1/1
		Model file: Tulvari-steel-4-piirinen-assy	Scale: 1:2
TULVARI OY HANKINTATIE 2 90420 OULU			DRAWING NO: 2201200004
Tel. XXXXXXXXXX Fax. XXXXXXXXXX			Rev





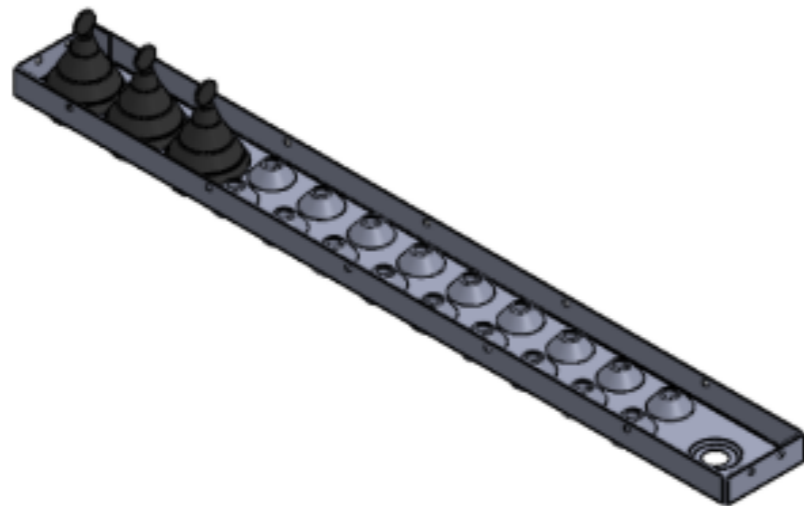
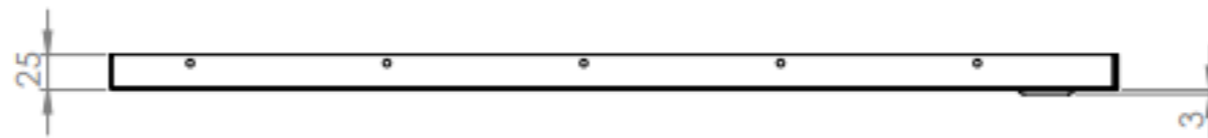
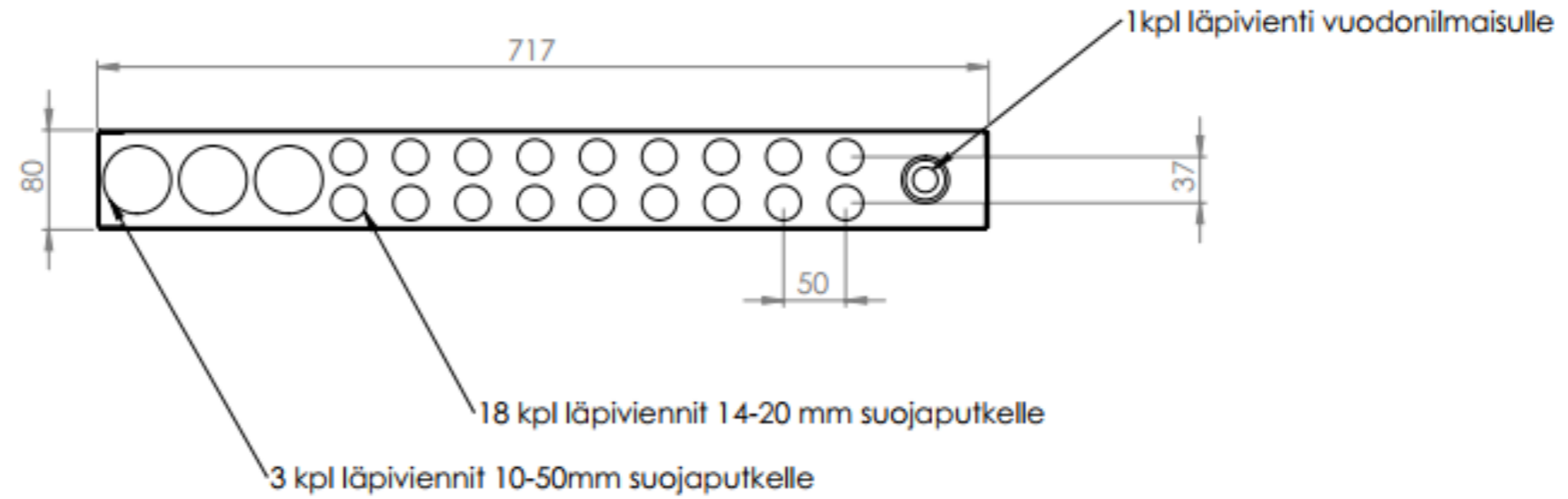
2 kpl läpivientejä 10-25 mm sähköjohtoille


Vuodonimaisimen liitännä

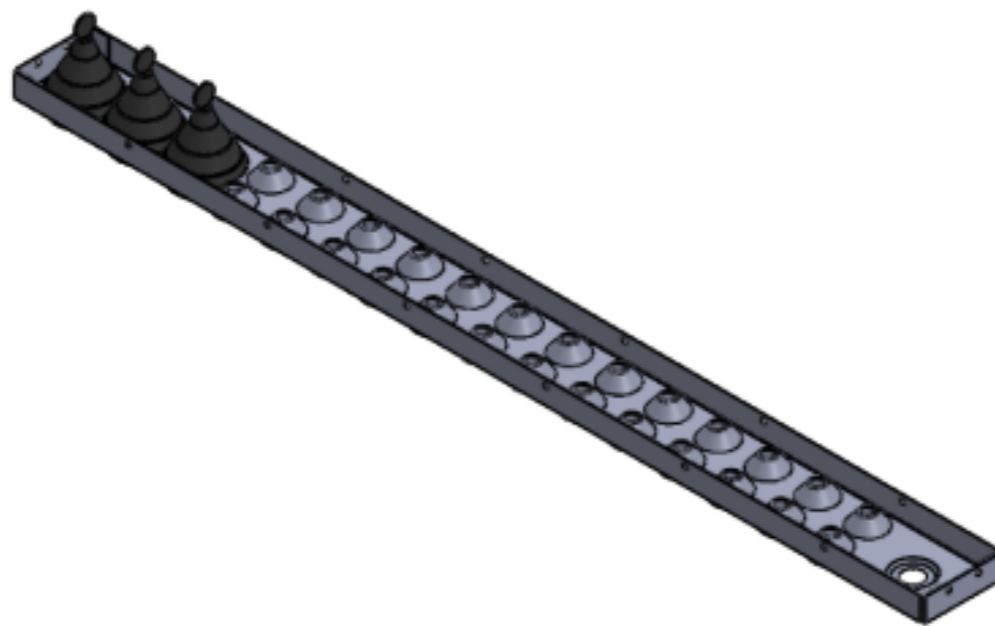
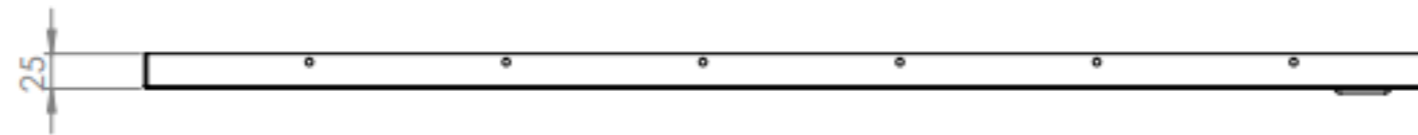
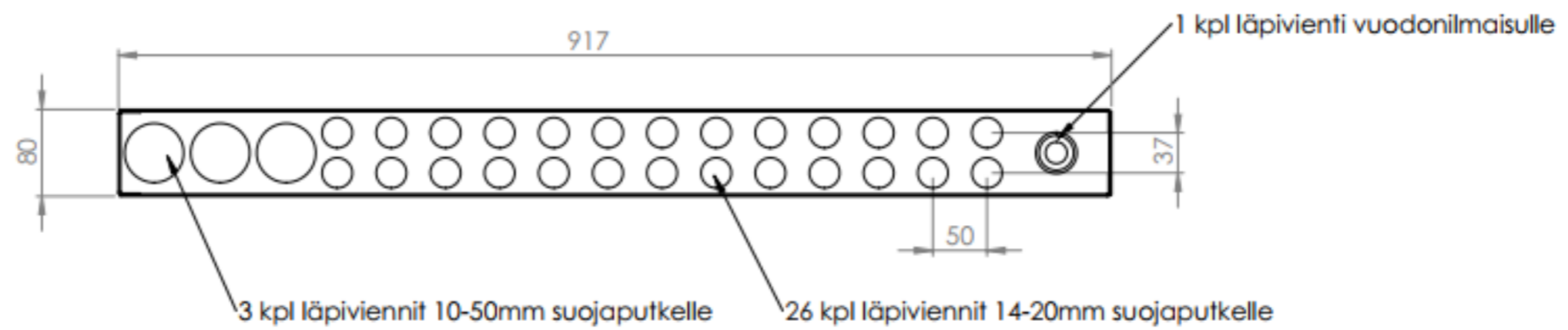
12 kpl läpivientejä 10-25 mm lattiapäirin putkille




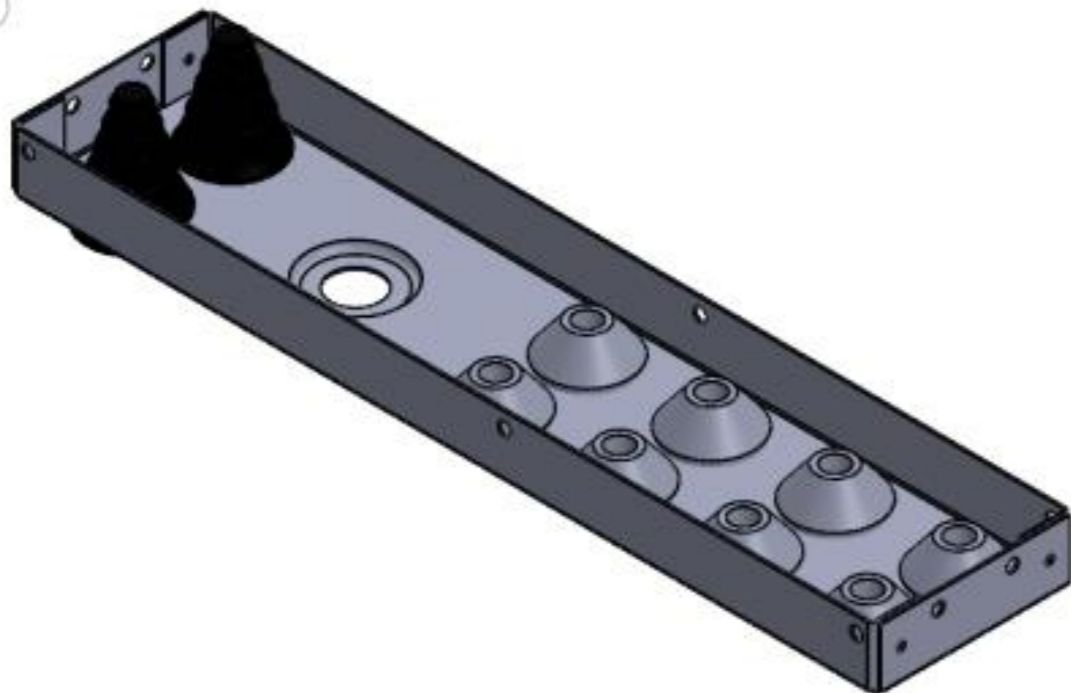
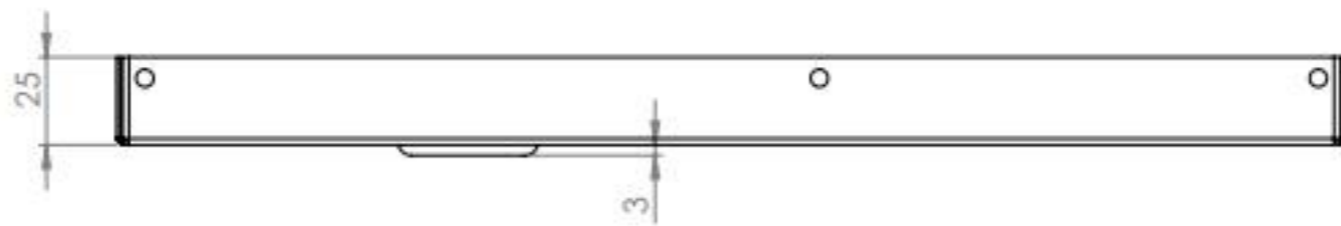
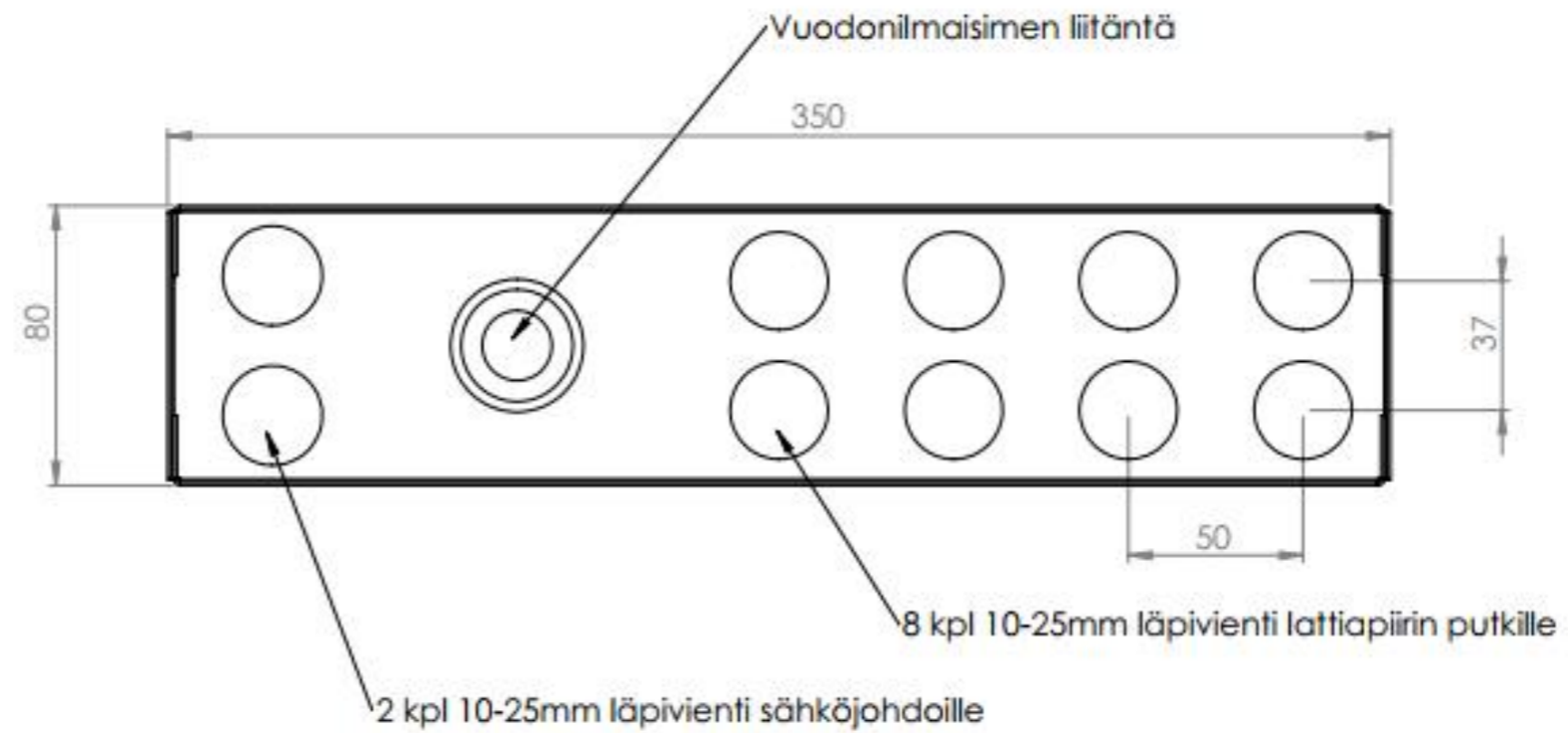
Project:	Mass:	Dimensions:	DESCRIPTION
Design: ToL	General tolerance, if not mentioned elsewhere	Material:	Tulvari Steel 6piirinen
Date: 22.1.2021	ISO 2768 COARSE	Finishing:	LVI nro: 2078135
		Draw. file: tulvari-steel-6piirinen-assy	Page 1/1
		Model file: tulvari-steel-6piirinen-assy	Scale: 1:2
TULVARI OY HANKINTATIE 2 90420 OULU			DRAWING NO: 2201200006
Tel. XXXXXXXXXXXX Fax. XXXXXXXXXXXX			Rev



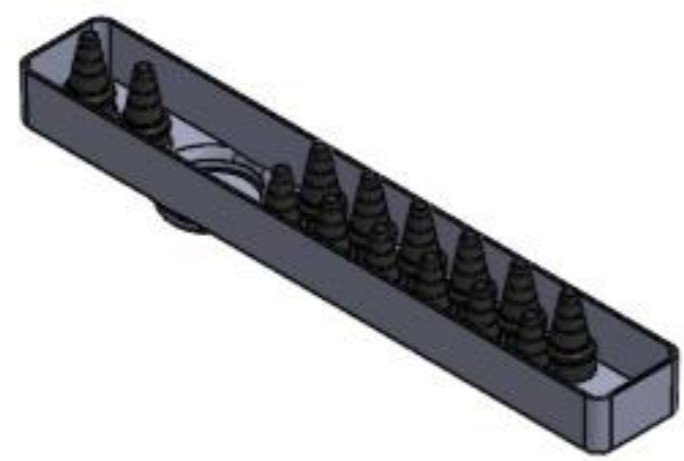
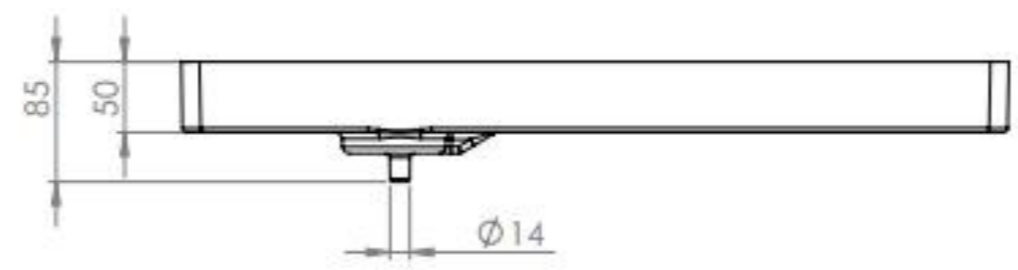
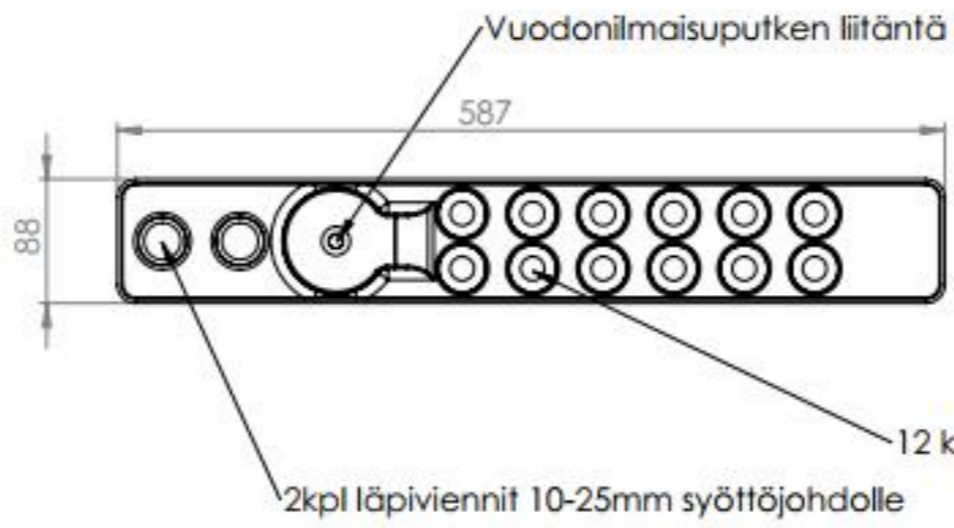
Project:	Mass:	Dimensions:	DESCRIPTION
Design: ToL	General tolerance, if not mentioned elsewhere	Material:	Tulvari Steel 8-piirinen LVI nro: 2078127
Date: 22.1.2021	ISO 2768 COARSE	Finishing:	
		Draw. file: TULV0013-Steel8 Assembly Model file: TULV0013-Steel8 Assembly Scale: 1:5 TULVARI OY HANKINTATIE 2 90420 OULU	Page(s) 1/1 DRAWING NO: 2201200008
Tel. XXXXXXXXXX Fax. XXXXXXXXXX			Rev





Project:	Mass:	Dimensions:	DESCRIPTION
Design: Tol	General tolerance, if not mentioned elsewhere	Material:	Tulvari Steel 12piirinen
Date: 22.1.2021	ISO 2768 COARSE	Finishing:	LVI nro: 2078128
		Draw. file: TULV2013-Steel12 Assembly	Page(s) 1/1
		Model file: TULV2013-Steel12 Assembly	Scale 1:5
		TULVARI OY HANKINTATIE 2 90420 OULU	DRAWING NO: 2201200012
		Tel. XXXXXXXXXX Fax. XXXXXXXXXX	Rev



Project:	Mass:	Dimensions:	DESCRIPTION
Design: ToL	General tolerance, if not mentioned elsewhere	Material:	Tulvari Steel-350
Date: 22.1.2021	ISO 2768 COARSE	Finishing:	LVI-nro: 2078158
		Draw. file: Assers3	Page(s) 1/1
		Model file: Assers3	Scale 1:2
		TULVARI OY HANKINTATIE 2 90420 OULU	DRAWING NO: 2201200350
		Tel. XXXXXXXXXX Fax. XXXXXXXXXX	Rev



Project:	Mass:	Dimensions:	DESCRIPTION
Design: ToL	General tolerance, if not mentioned elsewhere	Material:	Tulvari ABS 6-piirinen
Date: 22.1.2021	ISO 2768 COARSE	Finishing:	LVI nro: 2078136
		Draw. file: Assam2 Model file: Assam2	Page(s) 1/1 Scale 1:5 DRAWING NO: 2202100006
TULVARI OY HANKINTATIE 2 90420 OULU			Rev
Tel. XXXXXXXXXX Fax. XXXXXXXXXX			