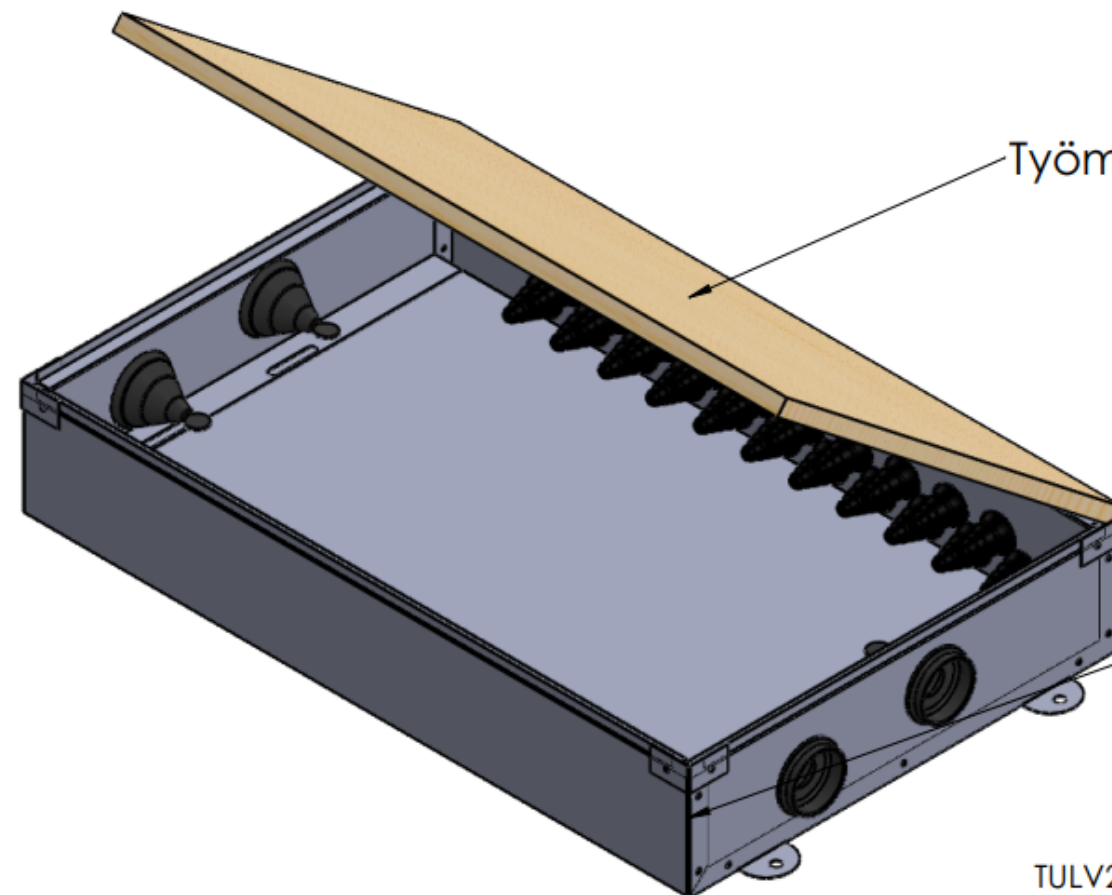
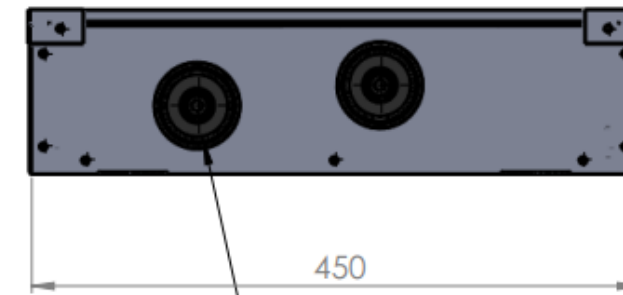
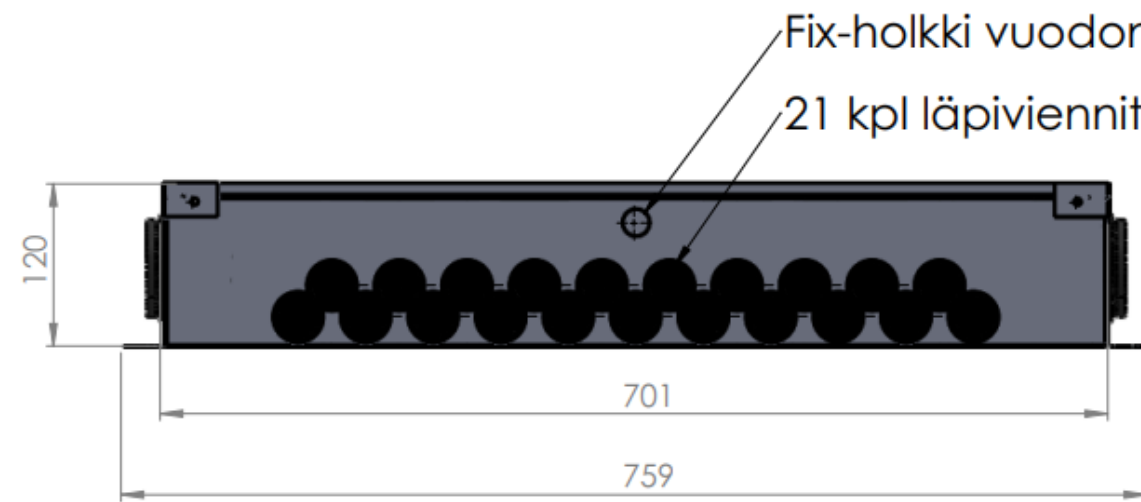


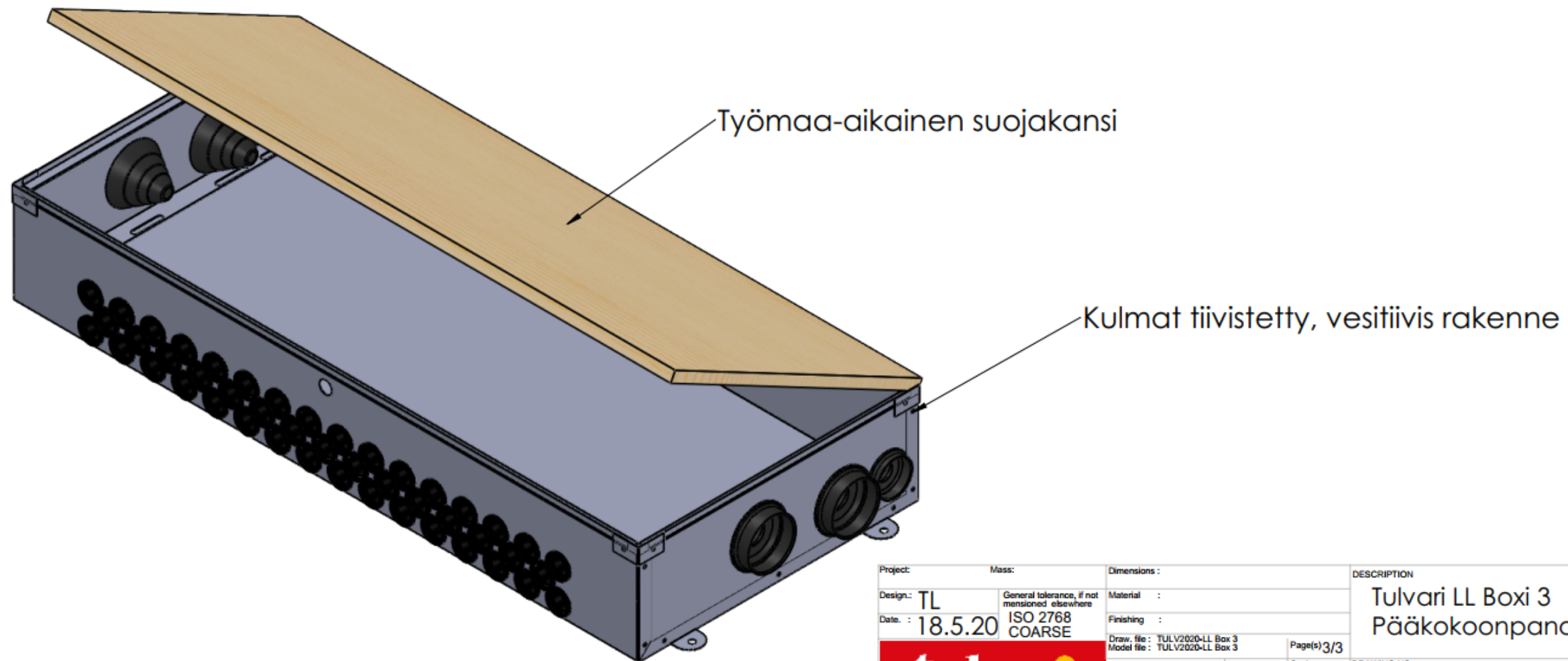
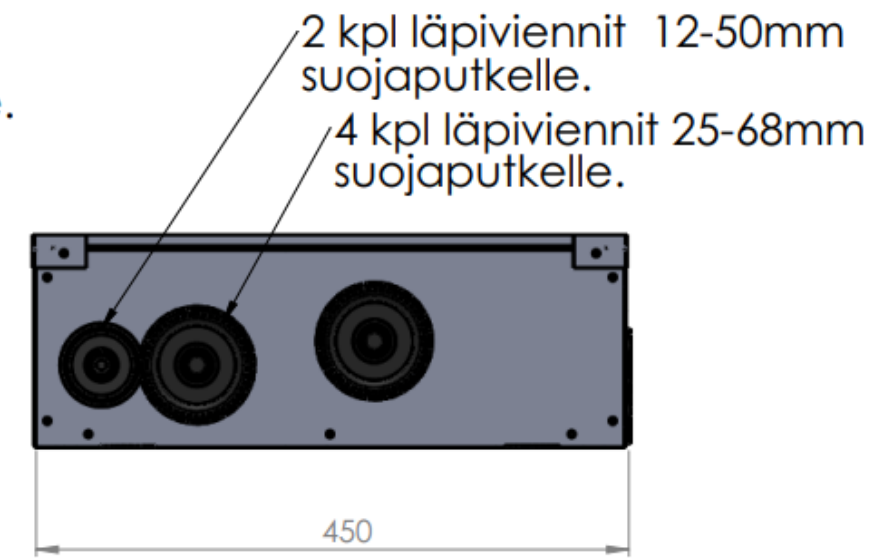
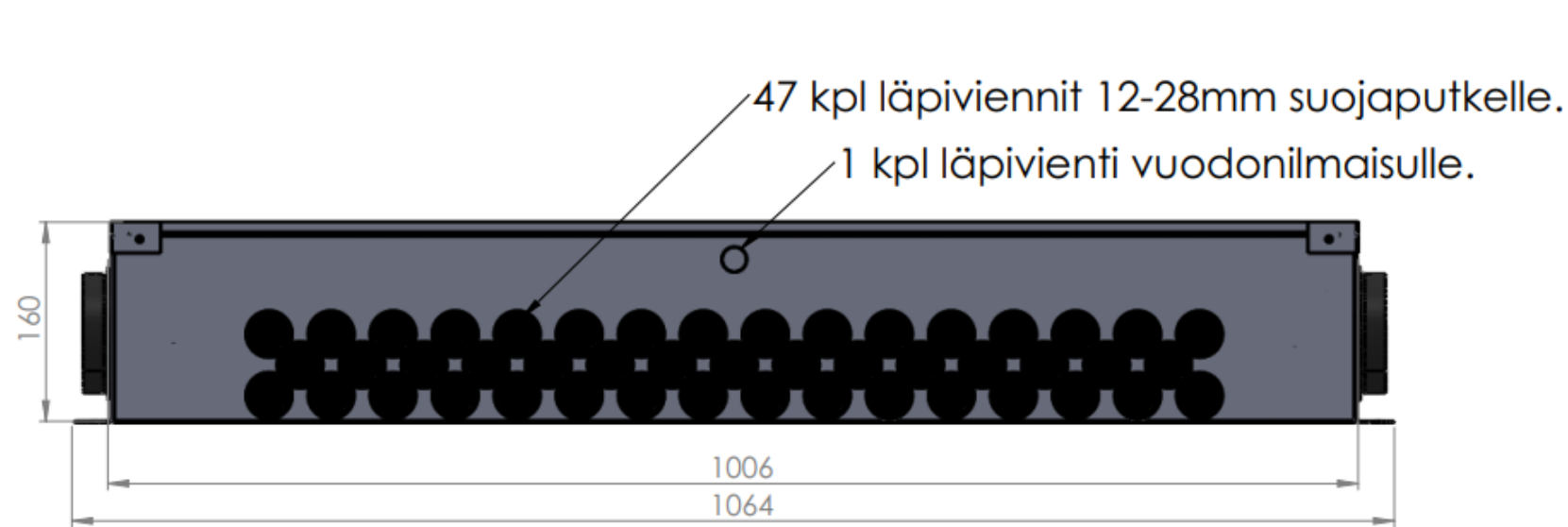
Project:	Mass:	Dimensions :	DESCRIPTION
Design:	General tolerance, if not mentioned elsewhere	Material :	Tulvari LL-Boxi 1
Date. :	ISO 2768 COARSE	Finishing :	LVI numero: 2078159
		Draw. file : TULV2020-LL Box - esite	Page(s) 1/1
		Model file : TULV2020-LL Box	Scale
		TULVARI OY HANKINTATIE 2 90420 OULU	1:5
			DRAWING NO: 1301400100
			Rev

Tel. XXXXXXXXXX Fax. XXXXXXXXXX



TULV2020-LL Box 2

Project:	Mass:	Dimensions:	DESCRIPTION
Design: TL	General tolerance, if not mentioned elsewhere	Material:	Tulvari LL Box 2
Date: 15.5.20	ISO 2768 COARSE	Finishing:	Pääkokoontapano
		Draw. file: TULV2020-LL Box 2	Page(s) 2/2
		Model file: TULV2020-LL Box 2	Scale
		TULVARI OY HANKINTATIE 2 90420 OULU	1:5
		Tel. XXXXXXXXXX Fax. XXXXXXXXXX	DRAWING NO: 1301400200
			Rev



TULV2020-LL Box-3

Project:	Mass:	Dimensions :	DESCRIPTION
Design: TL	General tolerance, if not mentioned elsewhere	Material :	Tulvari LL Boxi 3
Date: 18.5.20	ISO 2768 COARSE	Finishing :	Pääkokoontapano
		Draw. file : TULV2020-LL Box 3	Page(s) 3/3
		Model file : TULV2020-LL Box 3	Scale
		TULVARI OY HANKINTATIE 2 90420 OULU	1:5
		Tel. XXXXXXXXXX Fax. XXXXXXXXXX	DRAWING NO: 1301400300
			Rev